



VERSA MAXX-EXT™ | 50T HRG TRANSFORMER

Versatility and durability. That's what you can expect from the new VersaMAXX-EXT™ 50T HRG Transformer trailer. This powerhouse is designed specifically for strength, flexibility, performance and transforms from 48' – 53' instantly to meet your coast-to-coast needs. And because this trailer bears the Kalyn Siebert name, you can rest assured your payload and your investment are in good hands.

High Performance Product

All Kalyn Siebert trailers are engineered to exceed the toughest standards in the industry, delivering:

- Maximum strength at low tare weights
- Lowest maintenance costs
- Longest service life
- The highest possible return on investment

You can rest assured our trailers protect your payload and your investment.

That's the Kalyn Siebert Advantage.

High Performance Design

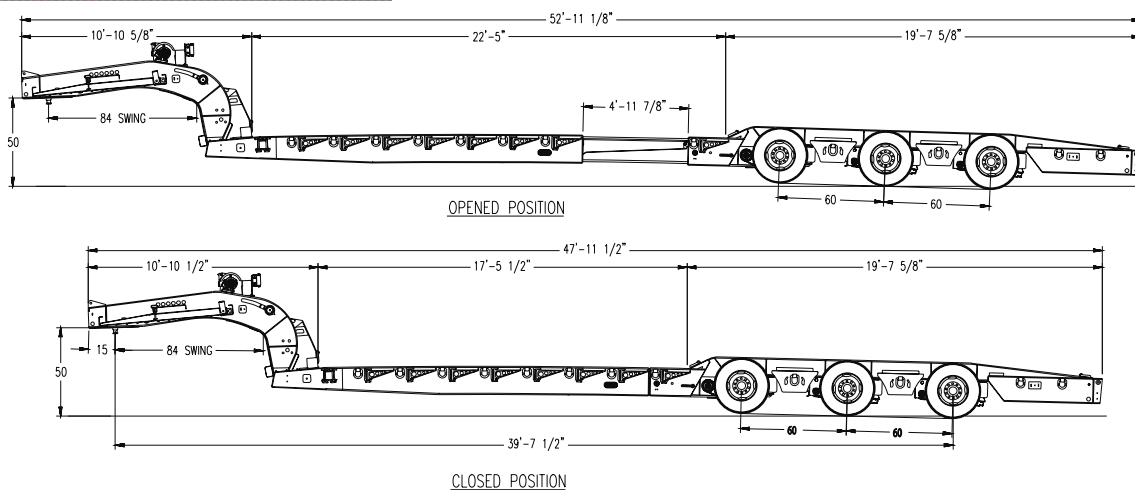
- 100k lbs capacity
- 22" loaded deck height
- 6" ground clearance
- 5-position detachable gooseneck
- 2-15k winches w/wireless remotes
- 48' – 53' Transformer advantage
- CA-legal/Inner city/Large transport

ENGINEERED TO PERFORM. BUILT TO LAST.

1505 West Main Street, Gatesville, TX 76528 | 800.525.9589 | www.kalynsiebert.com

**KALYN
SIEBERT®**
www.kalynsiebert.com

Kalyn Siebert | VersaMAXX-EXT™



Standard Specs

MAIN DECK

17'-6" – 22'-6"
22" Loaded Deck Height
6" Ground Clearance
Four-beam Design
100,000 PSI Minimum Yield Flange
80,000 PSI Minimum Yield Web
Bent D-rings Per Side (x6)
Tie-down Slots in Top Flange
Removable Outriggers Per Side (x10)
8" I-beam X-members on 24" Centers
4" Jr I-beam Alternating on 12" Centers
1 3/8" Apitong Floor (Steel Center)

GOOSENECK

Hydraulic Removable Neck
Set Up For Wet-line Operation
10'-10" Non-ground Bearing
Adjustable 5-position Ride Height
84" Swing Clearance
50" Kingpin Height / 15" Kingpin Setting
Lugs for 24"-28" Flip Neck

REAR BRIDGE

19'-7" Rear Bridge
D-rings at Rear (x17)
Load-bearing Bolsters
Air Lift Rear Axle
Flag Holders
Self-retracting Bridge

RAMPS

Steel Front Flip Ramps for
Equipment Loading (Removable)
6' Aluminum Ramps for Bus Loading
(5-degree Load Angle)
Aluminum Ramp Storage
Rear Lugs For Aluminum Ramps

WINCHES

2-15k Winches (gooseneck & rear)
Four-function Wireless Remote
100' of 1/2" Wire Rope
Cable Tensioner
Lighted Control Cabinet
LED Work Lights

SUSPENSION

25,000 lb. Air Ride
Auto/Manual Air Control System

AXLES

25,000 lb. Nominal (x3)
60" Spacing
ABS (4S/2M)/Parking Brake Two Axles
Tapered Spindles/Automatic Slacks
Hub-piloted 8-stud Mount
Outboard Cast Drums
12 1/4" X 7 1/2" Brakes (QC)

WHEELS/TIRES

6.75 X 17.5 Steel Disc Wheels
235/75R 17.5 16-ply Tires

ELECTRICAL SYSTEM

D.O.T. Approved 12V/7-way
LED-sealed Beam Lights and Harness
Marker Lights/Mid-turn Signals
Third Tail as Strobe Light

Options*

13 HP Power Package
Dual Hydraulic System
LED Work Lights
Battery Back-Up with 12V Charger
24" – 28" Flip Neck
20K Winch — 100' of 5/8" Wire Rope
Auxiliary Air Connection (front/rear)

Air Weigh
Tire Inflation System
Disc Brakes
Aluminum Wheels
Spare Tire Carrier
Air Lift Axle (front/rear)
53'-63' Overall Length Available

Warranty

5-year prorated frame
3-year prorated paint
1 year on remainder of trailer

The VersaMAXX-EXT 50T HRG Transformer can be customized to meet your specific needs. Call us at 800.525.9689 or visit www.kalynsiebert.com to request a custom quote.

* Additional options available

