

# CENTURY<sup>®</sup>

*Heavy Duty Integrated*



**4024 - 9055**  
20 TON      50 TON

millerd.com





# SETTING THE STAN



## 4024

- Over 103" of Underlift Reach
- 20-Ton Recovery Boom
- 20,000 lb. Winches
- Single-Axle Unit
- Great Value Loaded with Features



## 5130

- 128" of Underlift Reach
- 25-Ton Recovery Boom
- Our Largest Single-Axle Unit
- 25,000 lb. Winches
- Best In Class Weight Rating



## 5230

- 128" of Underlift Reach
- 30-Ton Recovery Boom
- Weight-saving Aluminum Body Option
- 25,000 lb. Winches
- Incredibly Versatile Loaded with Features



## 7035

(PolyBilt Body Option shown)

- 128" of Underlift Reach
- 35-Ton Recovery Boom
- Dual 35,000 lb. Winches
- Our Most Popular Heavy-Duty Unit
- Optional Lightweight PolyBilt Body



## 9055

- 138" of Underlift Reach
- 50-Ton 3-Stage Recovery Boom
- Dual 50,000 lb. Winches
- Our Largest Capacity Integrated Unit Perfect for Mixers, Packers, Busses & Everything In Between



## SP 850-XP

- Hydraulic Pivoting Stiff Legs
- Add Additional 35,000 lb. Winches
- Available on the 7035 and 9055
- Perfect for Tough Recovery Situations
- Finest European Technology

Above units show several popular body and equipment options.

# STANDARD IN HEAVY-DUTY TOWING & RECOVERY

Optional Underlifts for the 7035 and 9055 with capacities up to 55,000 lbs. Retracted.

**Available Winch Capacities:**

|                |                 |
|----------------|-----------------|
| 4024 . . . . . | (2) 20,000 lbs. |
| 5130 . . . . . | (2) 25,000 lbs. |
| 5230 . . . . . | (2) 25,000 lbs. |
| 7035 . . . . . | (2) 35,000 lbs. |
| 9055 . . . . . | (2) 50,000 lbs. |

Variety of Available Lighting Configurations

Optional Aluminum Tubular Pylon Available in Several Styles and Sizes.



Optional Rear Outriggers with Hydraulic Extendable Feet and Flip Down Rear Spade for Added Stability.



**Standard Dual Rear Control Stations**

- Dual Pressure Gauges (driver side)
- Air Winch Clutch Release Switches
- Driver Side Hour Meter and Air Regulators
- Optional LED Backlit Control Legends



The largest choice of standard and optional forks and attachments in the industry:

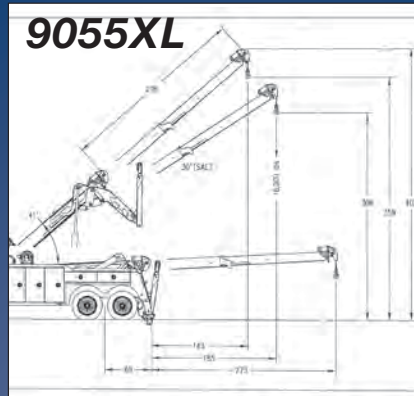
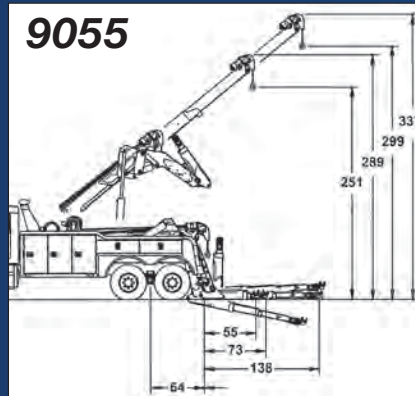
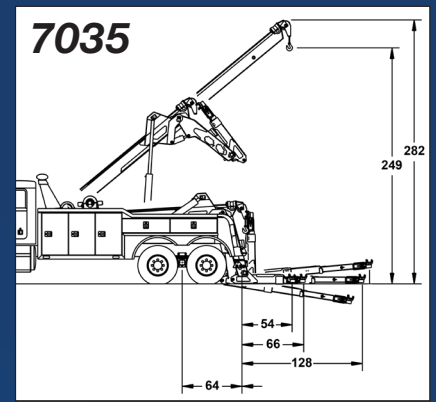
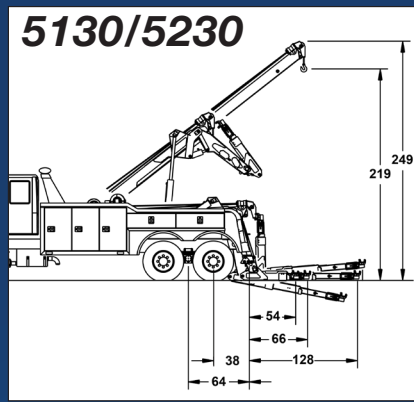
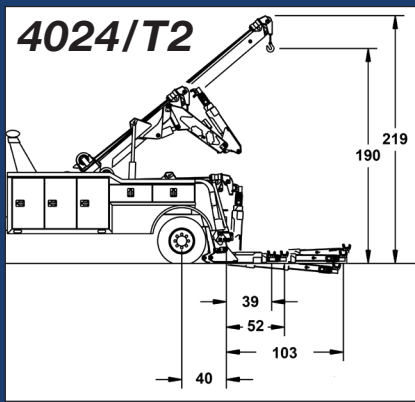
- 9 Sets of Cast Forks
- Pivoting Spring Lift Adaptors
- Chain Hook End Cups
- Low Profile Cast Forks Holders



**Aluminum Modular Body**

- Industry leading storage space
- Adjustable shelves with chain racks and fork holders
- Single button lock and unlock of compartments
- Key fob remote
- Optional 3 or 7 drawer tool box
- Optional fold down storage brackets for heavy duty tire lift

**5230 Model Shown**



## BODY SPECIFICATIONS

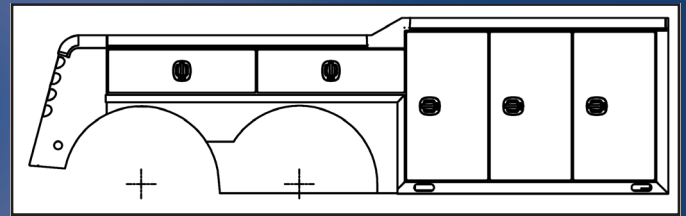
| Model     | Standard Body Configuration | Additional Body Configurations |
|-----------|-----------------------------|--------------------------------|
| 4024      | 138" C.A.                   | 156, 182" C.A.                 |
| 5130      | 156" C.A.                   | 182", 206", 230" C.A.          |
| 5230      | 156" C.B.                   | 180" / 204" C.B.               |
| 7035      | 156" C.B.                   | 180" / 204" C.B.               |
| 9055      | 156" C.B.                   | 180" / 204" C.B.               |
| 9055XL    | 180" C.B.                   | 180" / 204" C.B.               |
| SP 850-XP | 156" C.B.                   | 180"                           |

## Low Rider Underlift



Century offers the Low Rider Underlift to provide the strength and durability you need for your toughest tows while still providing the lowest profile stinger. The Low Rider provides you with 144" of reach while the "Coach" Low Rider provides additional reach up to 160" to haul those difficult pumpers, packers, coaches, and fire trucks.

## Standard Length Body Configuration



Century offers multiple body configurations for the Heavy Duty Integrated series to help better fit your demands and suit your individual needs.

# CENTURY®

## PolyBilt Body Option



The PolyBilt body option provides a rugged durable design that has gone through years of field testing. The boxes feature roll up aluminum doors with remote lock/unlock, adjustable shelves and built in storage for your forks and popular attachments. The PolyBilt body is ideal for harsh environments to provide superior protection from rust and corrosion caused by road chemicals.

## BOOM SPECIFICATIONS

| Model          | Boom Structural Rating (S.A.E.) |              | Boom Angle | Max Hook Height (in) | Hydraulic Boom Extension (in) |
|----------------|---------------------------------|--------------|------------|----------------------|-------------------------------|
|                | Retracted 30°                   | Extended 30° |            |                      |                               |
| 4024           | 20 ton                          | 15,000 lbs.  | 40°        | 190"                 | 96"                           |
| 5130           | 25 ton                          | 16,000 lbs.  | 39°        | 219"                 | 120"                          |
| 5230           | 30 ton                          | 16,000 lbs.  | 39°        | 219"                 | 120"                          |
| 7035           | 35 ton                          | 22,000 lbs.  | 40°        | 249"                 | 130"                          |
| 9055           | 50 ton                          | 30,000 lbs.  | 39°        | 259"                 | 144"                          |
| 9055 (3 Stage) | 50 ton                          | 18,000 lbs.  | 39°        | 299"                 | 216"                          |
| 9055XL         | 50 ton                          | 18,000 lbs.  | 39°        | 359"                 | 276"                          |

## WINCH SPECIFICATIONS

| Model     | Winch Capacity | Winch Type                     | Cable Specifications  |
|-----------|----------------|--------------------------------|-----------------------|
| 4024      | 20,000 lbs.    | Dual Planetary Winch           | 9/16" x 175' I.W.R.C. |
| 5130      | 25,000 lbs.    | Dual Planetary Winch (2 Speed) | 5/8" x 200' I.W.R.C.  |
| 5230      | 25,000 lbs.    | Dual Planetary Winch (2 Speed) | 5/8" x 200' I.W.R.C.  |
| 7035      | 35,000 lbs.    | Dual Planetary Winch (2 Speed) | 3/4" x 200' I.W.R.C.  |
| 9055      | 50,000 lbs.    | Dual Planetary Winch (2 Speed) | 3/4" x 250' I.W.R.C.  |
| SP 850-XP | 35,000 lbs.    | Dual Planetary Winch (2 Speed) | 5/8" x 200' I.W.R.C.  |

## UNDERLIFT SPECIFICATIONS

| Model                | Extended Underlift | Retracted Underlift | Tilt Arc | Tow Rating  |
|----------------------|--------------------|---------------------|----------|-------------|
| 4024                 | 12,000 lbs. @ 103" | 24,000 lbs. @ 39"   | 8°       | 50,000 lbs. |
| 5130 / 5230          | 16,000 lbs @ 128"  | 35,000 lbs. @ 54"   | 20°      | 80,000 lbs. |
| 7035*                | 16,000 lbs @ 128"  | 35,000 lbs. @ 54"   | 20°      | 80,000 lbs. |
| 7035 Coach Low Rider | 16,000 lbs. @ 138" | 35,000 lbs. @ 59"   | 20°      | 80,000 lbs. |
| 9055*                | 17,000 lbs. @ 138" | 55,000 lbs. @ 55"   | 17°      | 80,000 lbs. |
| 9055 Coach Low Rider | 18,000 lbs. @ 160" | 55,000 lbs. @ 62"   | 17°      | 80,000 lbs. |

Based on a 42" chassis frame height. Retracted distance taken with fork holders flipped inward  
Measurement & Specifications include the Optional "Street" Lowrider

## CHASSIS RECOMMENDATIONS

| Model            | Front Axle (lbs.) | Rear Axle (lbs.) | Clear C.A. / C.B. | After Frame from Center of Rear Axle | R.B.M. (in./lbs.) |
|------------------|-------------------|------------------|-------------------|--------------------------------------|-------------------|
| 4024             | 10,000            | 21,000           | 138"              | 42"                                  | 1,200,000         |
| 5130             | 12,000            | 21,000           | 156"              | 40"                                  |                   |
| 5230             | 13,200            | 40,000           | 156"              | 40"                                  |                   |
| 7035             | 13,200            | 40,000           | 156"              | 40"                                  | 2,250,000         |
| 7035 (SP 850-XP) | 14,600            | 40,000           | 204"              | 40"                                  | 3,500,000         |
| 9055             | 14,600            | 40,000           | 156"              | 40"                                  | 3,000,000         |
| 9055 (SP 850-XP) | 20,000            | 40,000           | 204"              | 40"                                  | 3,500,000         |
| 9055XL           | 16,000            | 46,000           | 180"              | 40"                                  | 3,500,000         |

## Standard Features

- Dual Control Stations
- Pressure Gauges & Hour Meter
- Hydraulic Pump
- Diagonal Hydraulic Rear Spades w/Flipper Feet
- Safety Chains in Rear Pockets with Roller
- Quick Connect Air & Electric Hook Ups
- MVEC Power Distribution System & Switch Panel
- MMO Interface (7035/9055 only)
- Tailboard D-Rings
- Low Pull "D" Ring Kit
- Flipper Feet Grater Blades
- "D" Rings (Tailboard Mount, Std on 7035 & 9055)
- LowRider Underlift (7035 & 9055)
- Upgrade to 7035 Underlift (5230)

## Boom Features

- Power Elevation & Power Extension
- 360° Sheave Head
- Cable Tie Backs
- Cable Tensioners
- Winch Air Free Spool
- Dual 2-Speed Planetary Winches (N/A for 4024)

## Underlift Features

- Power Tilt & Power Extension
- Hydraulic Fold
- 3-Stage Design
- Low Profile 70° Pivoting Heavy Duty Fabricated Cross Bar
- Low Profile Fork Holders
- Pivoting Spring Lift Adaptors
- Chain Hook End Caps
- 14 FXN Wireless Remote Control with Charging/Docking Station (7035/9055 only) (8 FXN on 4024/5130/5230)
- 9 Sets of Cast Steel Forks:
 

|           |             |                          |
|-----------|-------------|--------------------------|
| 3" Short  | 4.5" Short  | Grab Axle Fork           |
| 3" Medium | 4.5" Medium | 6" Short Offset          |
| 3" Tall   | 4.5" Tall   | 6" Medium Rear Axle Fork |

All ratings are based on structural factors only, not vehicle capacities or capabilities. Specifications shown are approximations and may vary depending on chassis selected. Miller Industries Towing Equipment Inc. reserves the right to change or modify product and or specifications without notice or obligation. Some equipment shown is optional.

\*All Recommendations are minimums. Heavier specifications may be required depending on chassis and equipment weight.

The outside frame rails of chassis extending behind the cab must be free of fuel tanks, air tanks, battery boxes, etc.

## Body Features

- 96" Wide Aluminum Modular Body
- Rubber Mounting Isolators
- LED Body Lighting
- LED Tool Compartment Lighting
- Chrome Double Action Latches with Remote Lock/Unlock
- Gas Door Shocks
- Adjustable Shelves
- Lift Fork Storage
- Chain Storage
- Tailboard Fork & Chain Storage
- Aluminum Tread-Plate Walkway
- Mud Flaps

## Optional Features

- |   |   |  |   |
|---|---|--|---|
| <ul style="list-style-type: none"> <li>• Air Shift PTO</li> <li>• Tailgate Underlift Controls</li> <li>• Additional Body Lengths</li> <li>• Crossover Tunnel Box</li> <li>• PolyBilt Body Option</li> <li>• MMO Interface (STD 7035/9055)</li> <li>• LED Body Strip Lamps</li> <li>• Body Lighting Strobe Kit</li> <li>• Stainless Dress-Up Kits</li> <li>• Aluminum Tubular Light Pylon</li> <li>• 3 and 7 Drawer Tool Boxes</li> <li>• Offset Fork Holder Extensions</li> </ul> | <ul style="list-style-type: none"> <li>• Fork Riser Brackets</li> <li>• Chain Hook Slide Adapter</li> <li>• Pintle Hook Attachment</li> <li>• 5th Wheel Plate</li> <li>• King Pin Attachment</li> <li>• Trailer Ball Adapter</li> <li>• Heavy Duty Tire Lift (13K)</li> <li>• XHD Tire Lift (25K) (7035,9055)</li> <li>• Tire Lift Storage Brackets</li> <li>• Chain Washdown Compartment</li> <li>• Additional Lift Forks</li> <li>• Ground Penetrating Plate</li> </ul> | <ul style="list-style-type: none"> <li>• Backlit Controls</li> <li>• Chain Package</li> <li>• Endless Loop Sling Package</li> <li>• Spreader Bars</li> <li>• Screw Pin Shackle Package</li> <li>• Snatch Blocks</li> <li>• Snatch Block Storage Bar or Rack</li> <li>• Light Bar</li> <li>• LED Work &amp; Hook-Up Lighting</li> <li>• LED Swivel Work Lights</li> <li>• Coach LowRider Underlift (7035,9055)</li> <li>• PTO Override</li> </ul> | <ul style="list-style-type: none"> <li>• Wireless Wide Load Light Bar</li> <li>• Dual Rear Camera &amp; Monitor</li> <li>• Hydraulic Extendable Rear Outriggers</li> <li>• 24" 30" 36" or 48" Saddle Tunnel Box</li> <li>• Shelf Kit for 30", 36" &amp; 48" Tunnel Boxes</li> <li>• 9055-B (2-Stage Boom, 35K Winches, MMO Delete)</li> </ul> |
|---|---|--|---|

## DISTRIBUTED BY:

# CENTURY®

8503 Hilltop Drive Ooltewah, TN 37363  
800-292-0330 | millerind.com

